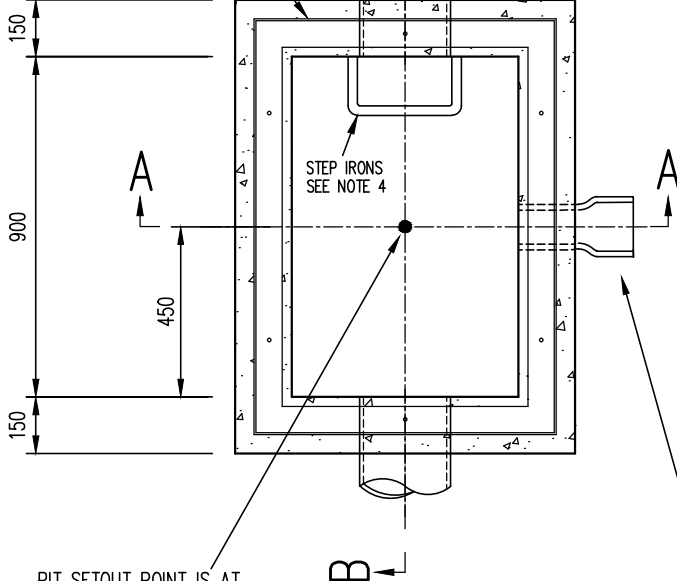


FRAME AND LID TO SD 213
COMPOSITE TYPE OR
APPROVED EQUIVALENT



PIT SETOUT POINT IS AT
CENTRE OF PIT CHAMBER

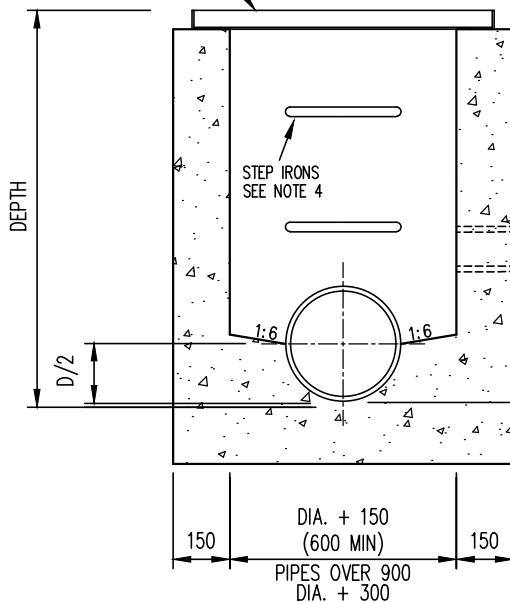
PLAN
SCALE 1:20

PROVIDE 100mm DIA DWV LIGHT DUTY
UPVC STUB(S) FOR PROPERTY INLET
CONNECTIONS AS REQUIRED
SEE NOTE 7 FOR LOCATION

NOTES:

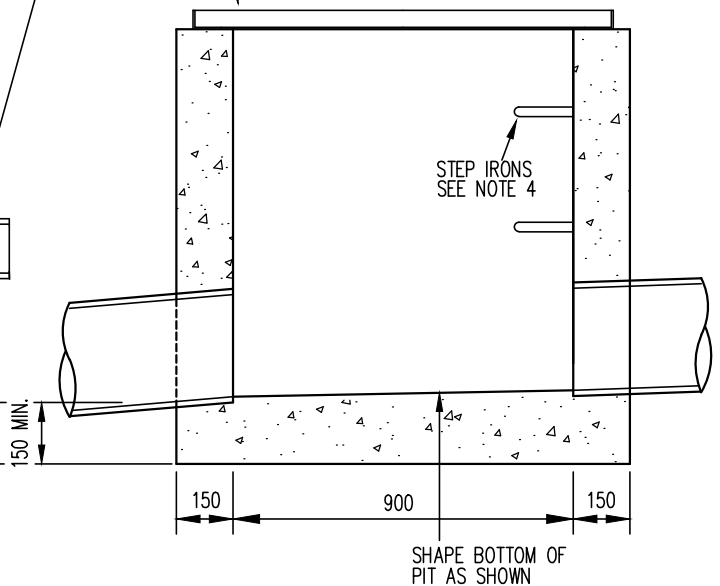
1. FOR FRAME FIXING DETAILS SEE SD 213
2. PIT LIDS TO BE KHAKI GREEN.
3. ALL MEASUREMENTS ARE IN MILLIMETRES.
4. STEP IRONS TO BE PROVIDED IN ALL PITS OVER 900mm DEEP. SEE SD 228
5. IF PIT DEPTH IS LESS THAN 750mm PIT LENGTH CAN BE REDUCED TO 600mm
600 x 600mm PIT TO BE FITTED WITH 800 x 800mm FRAME AND LID (COMPOSITE TYPE)
6. IF PIPE DIAMETER EXCEEDS 450mm PIT TO BE CORBELLED AND REINFORCED AS PER SD 210.
7. 100mm DIA SEWER CLASS UPVC STUB(S) FOR PROPERTY INLET CONNECTIONS TO BE PROVIDED AS REQUIRED
LOCATE STUBS AS APPROPRIATE FOR CONNECTIONS OF PROPERTY INLETS AND HOUSE DRAINS AS DETAILED ON DESIGN CONSTRUCTION PLANS.
STUBS TO BE PLACED AT AN APPROPRIATE DEPTH TO ALLOW FOR ACCEPTABLE GRADES AND COVER ON HOUSE DRAINS. (DESIRABLE MINIMUM COVER 500 - 600mm)

FRAME AND LID TO SD 213
COMPOSITE TYPE OR
APPROVED EQUIVALENT



SECTION A-A
SCALE 1:20

PIT LID AND FRAME TO SD 213
SEE NOTE 1.



SECTION B-B
SCALE 1:20



GREATER DANDENONG

EASEMENT PIT

LAST UPDATED - SEPTEMBER 2014

INFRASTRUCTURE PLANNING

SD 212-A