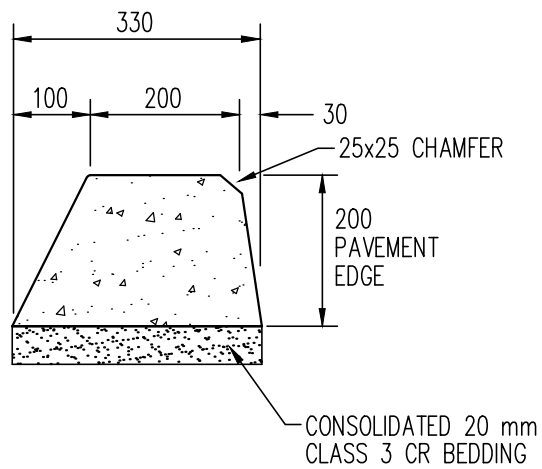
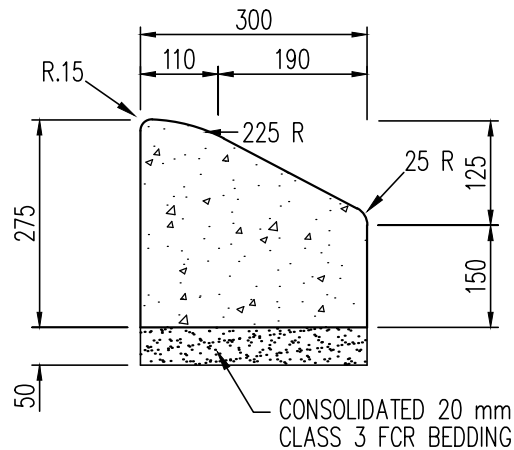


OPEN INVERT SD 405



CONCRETE EDGE STRIP SD 406



SEMI MOUNTABLE KERB SD 407
(VICROADS SM1 PROFILE)



GREATER DANDENONG

STANDARD KERB AND CHANNEL PROFILES
DISHED INVERT, EDGE STRIP AND SEMI-MOUNTABLE KERB

LAST UPDATED – SEPTEMBER 2014

INFRASTRUCTURE PLANNING

SD 405–407