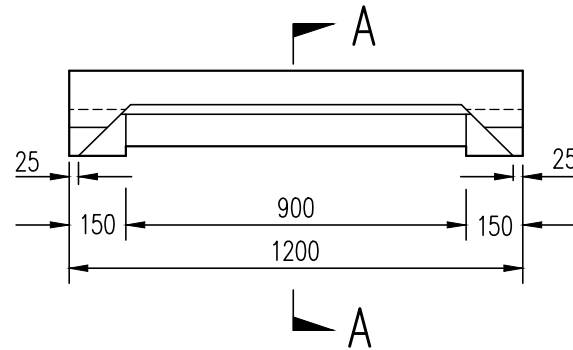


**PLAN**

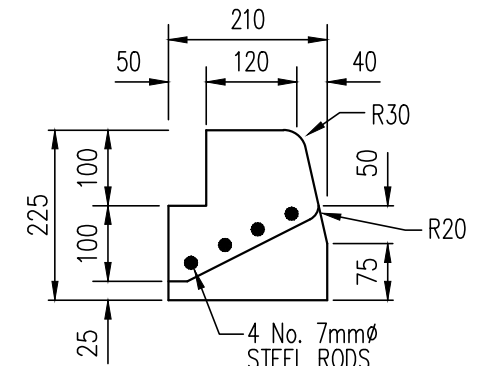
SCALE 1:20

LINTEL TO BE SVC BERWICK TYPE CODE 15.231  
OR APPROVED EQUIVALENT



**FRONT ELEVATION**

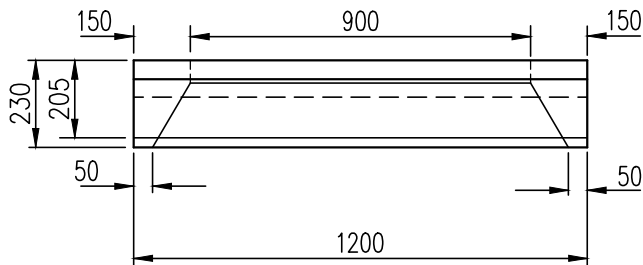
SCALE 1:20



**SECTION A-A**

SCALE 1:10

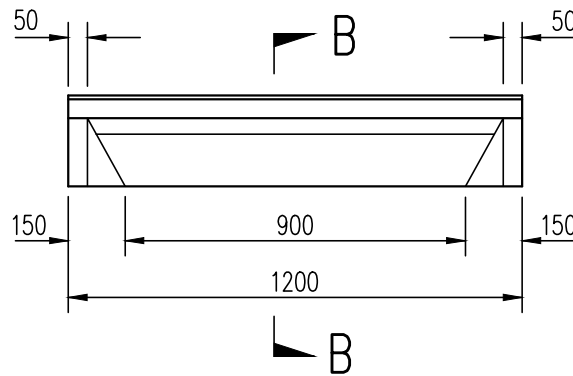
**PRECAST LINTEL FOR SIDE ENTRY PITS TYPE 1 (BARRIER KERB SD 400)**



**PLAN**

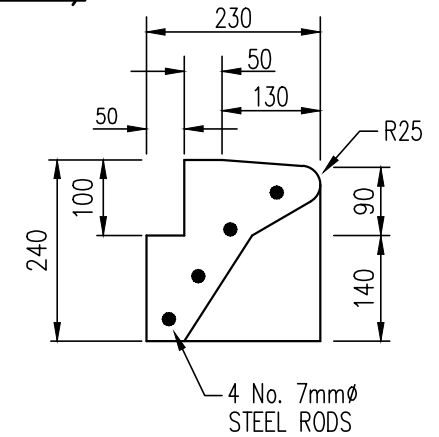
SCALE 1:20

LINTEL TO BE SVC HASTINGS TYPE CODE 15.232  
OR APPROVED EQUIVALENT



**FRONT ELEVATION**

SCALE 1:20



**SECTION B-B**

SCALE 1:10

**PRECAST LINTEL FOR SIDE ENTRY PITS TYPE 2 (ROLLOVER KERB SD 403)**



**GREATER DANDENONG**

**PRECAST LINTELS FOR SIDE ENTRY PITS**  
TYPE 1 TO SUIT BARRIER TYPE KERB AND CHANNEL (SD 400)  
AND TYPE 2 TO SUIT ROLLOVER KERB AND CHANNEL (SD 403)

LAST UPDATED - SEPTEMBER 2014

INFRASTRUCTURE PLANNING

**SD 204-A**