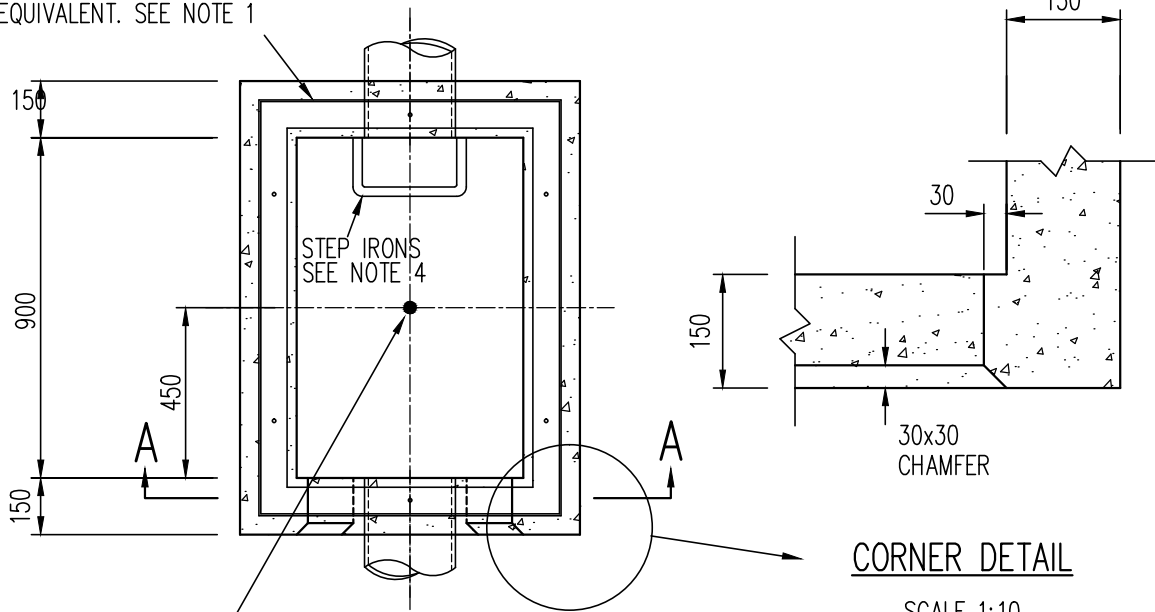


FRAME AND LID TO SD 213
COMPOSITE TYPE OR APPROVED
EQUIVALENT. SEE NOTE 1



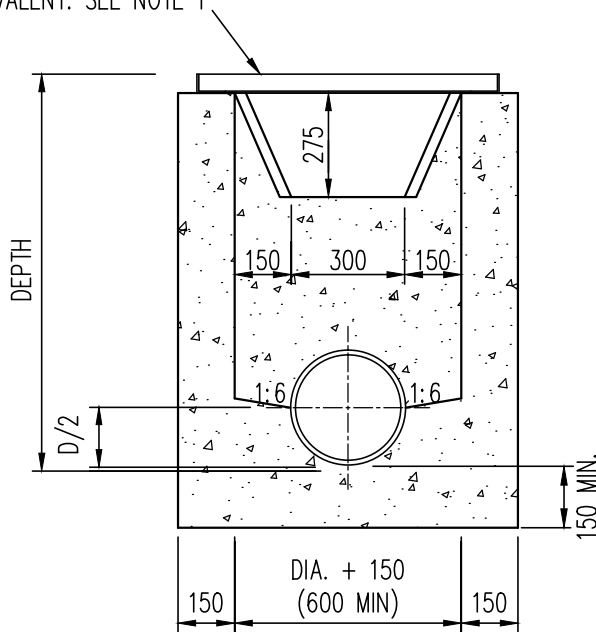
PIT SETOUT POINT IS AT
CENTRE OF PIT CHAMBER

PLAN
SCALE 1:20

CORNER DETAIL

SCALE 1:10
NOTE: LID NOT SHOWN

FRAME AND LID TO SD 213
COMPOSITE TYPE OR APPROVED
EQUIVALENT. SEE NOTE 1



SECTION A-A
SCALE 1:20

NOTES:

1. FOR FRAME FIXING DETAILS SEE SD 213
2. COMPOSITE PIT LID AND STEEL FRAME ARE TO BE COUNCIL APPROVED TYPE AND CONFORM TO SD 205. PIT LIDS ARE TO COLOURED KHAKI GREEN.
3. ALL MEASUREMENTS ARE IN MILLIMETRES UNLESS OTHERWISE STATED.
4. STEP IRONS ARE TO BE PROVIDED IN ALL PITS OVER 900mm DEEP. (SEE SD 228) MAXIMUM DISTANCE FROM BOTTOM STEP IRON TO FLOOR OF PIT SHALL BE 500mm.



GREATER DANDENONG

ROADSIDE CATCH PIT
900 X 600mm

LAST UPDATED - SEPTEMBER 2014

INFRASTRUCTURE PLANNING

SD 215-A