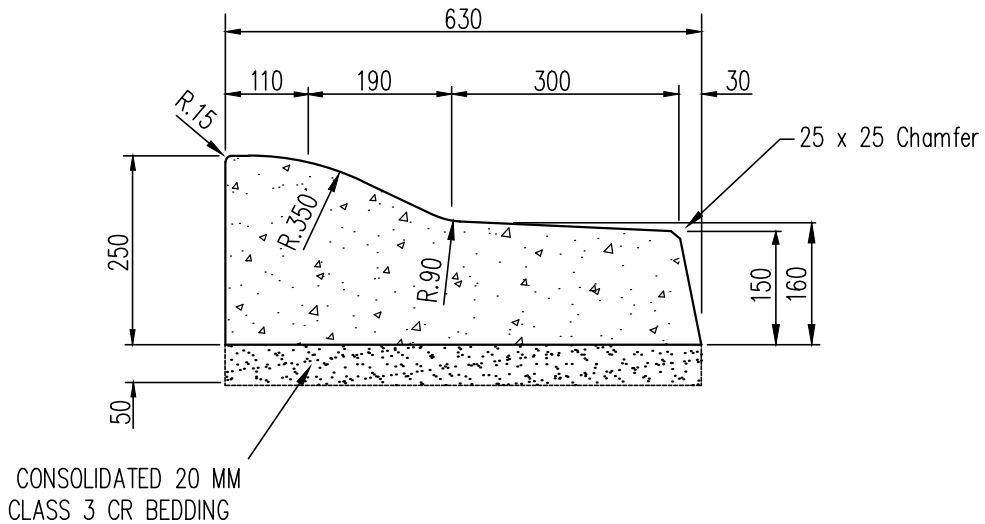


ROLLOVER (SEMI-MOUNTABLE) KERB AND CHANNEL SD 403



ROLLOVER (SEMI-MOUNTABLE) KERB AND OUTFALL TRAY SD 404



GREATER DANDENONG

STANDARD KERB AND CHANNEL PROFILES
 ROLLOVER (SEMI-MOUNTABLE) KERB AND CHANNEL

LAST UPDATED – SEPTEMBER 2014

INFRASTRUCTURE PLANNING

SD 403-404