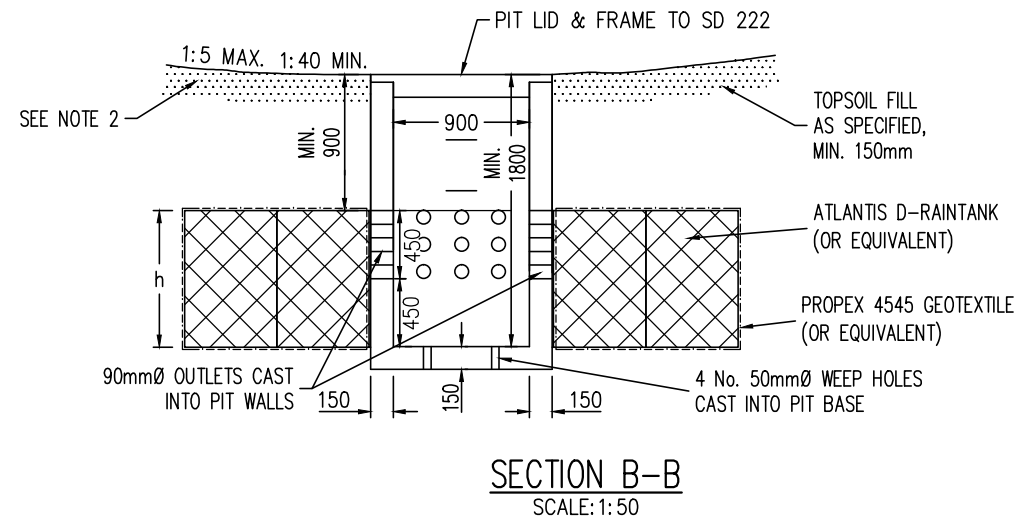
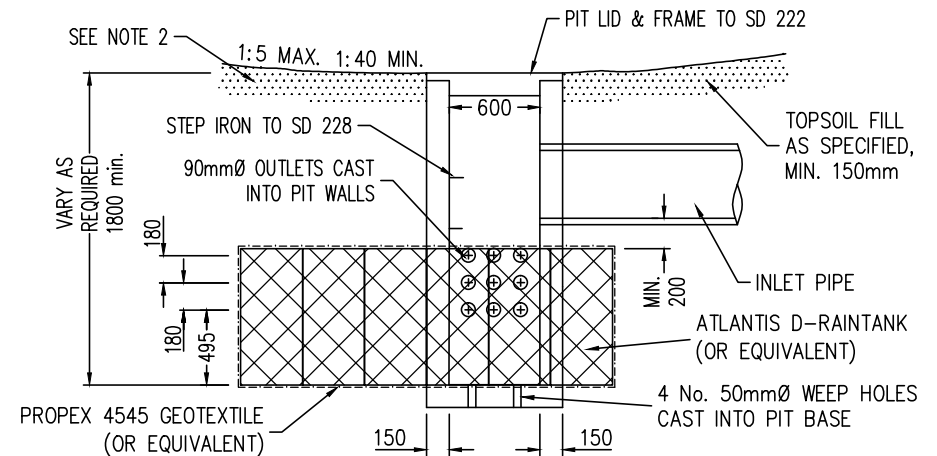
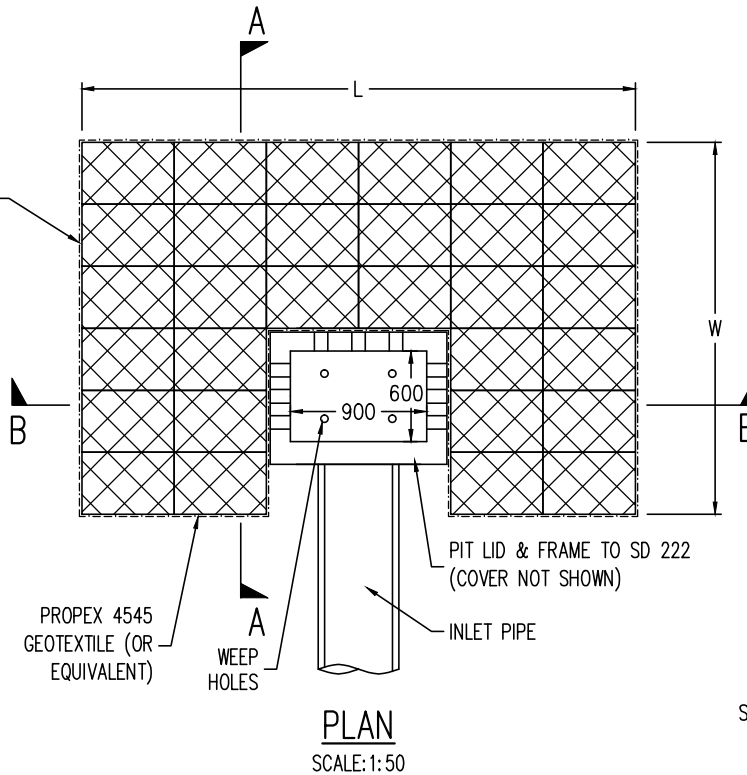


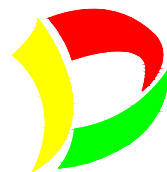
ATLANTIS D-RAINTANK (OR EQUIVALENT). TANKS TO BE INTERLOCKED TOGETHER VERTICALLY AND FULLY WRAPPED PROPEX 4545 GEOTEXTILE FILTER FABRIC (OR EQUIVALENT). TANKS TO HAVE THE FOLLOWING PERFORMANCE CRITERIA:

- i) TANKS TO HAVE A MINIMUM FLOW RATE OF 2000 l/min UNDER 1.0m STATIC HEAD
- ii) TANKS SOLID WALL AREA NOT TO EXCEED 25%
- iii) TANKS TO BE MADE FROM RECYCLED PLASTIC MATERIALS



NOTES:

1. FOR USE WITHIN AREAS WITH SANDY SOIL ONLY
2. SOAK AREA TO BE LOCATED IN A NATURAL OR CREATED BASIN (TURKEYS NEST). THE DISTURBED AREA BE ROLLED WITH HAND ROLLER AND SOWN WITH APPROVED GRASS SEED. CREATED BASINS MUST BE CONSTRUCTED SO THEY APPEAR NATURAL.
3. TEST HOLES TO THE FULL DEPTH OF THE PROPOSED SOAKAGE PIT MUST BE DUG TO DETERMINE WHETHER THE SOIL IS SUITABLE AND TEST CARRIED OUT BY A SUITABLY QUALIFIED GEOTECHNICAL ENGINEER TO ESTABLISH THE INFILTRATION RATE OF THE SOIL BEFORE THE LOCATION AND DEPTH OF PIT IS FINALISED.
4. MINIMUM SOAKAGE PIT VOLUME 6.8m³
5. ALL CONCRETE USED ON PIT TO BE 32MP_a AND VIBRATED INTO POSITION AS PER AS3600, SECTION 19.
6. ALL MEASUREMENTS IN MILLIMETRES.
7. PIT LID AND FRAME TO SD 222
8. STEP IRONS TO SD 228
9. SEE SHEET 2 FOR SOAKAGE PIT SIZING DESIGN GUIDELINES.



GREATER DANDENONG

SOAKAGE PIT
SHEET 1 OF 2 SHEETS

LAST UPDATED - SEPTEMBER 2014

INFRASTRUCTURE PLANNING

SD 221-1-A