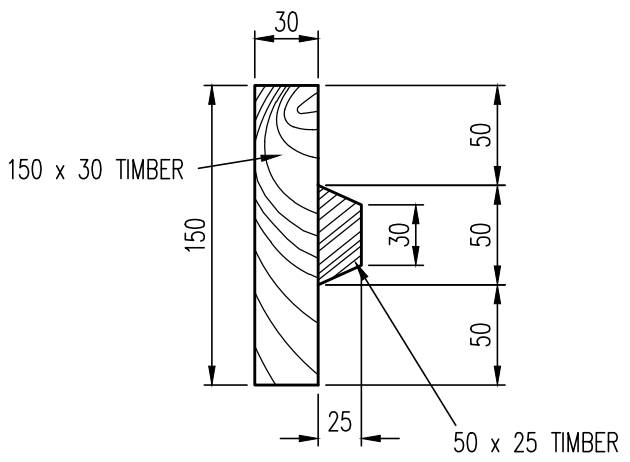
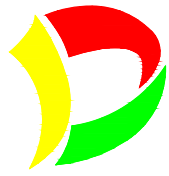


TYPICAL CROSS SECTION  
NOT TO SCALE



KEY DETAIL  
NOT TO SCALE



**GREATER DANDENONG**

RIGHT OF WAY -TYPE 1  
TYPICAL GEOMETRIC CROSS SECTION

LAST UPDATED - APRIL 2015

INFRASTRUCTURE PLANNING

SD 015-B