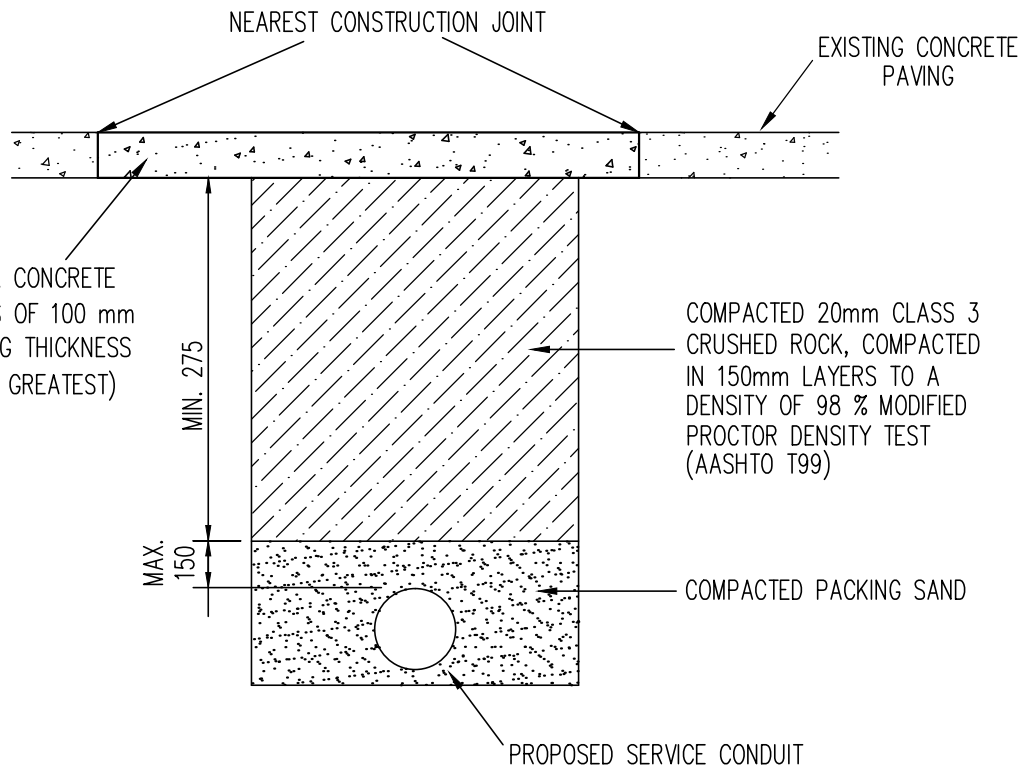


BACKFILLING REQUIREMENT FOR SEALED ROAD PAVEMENT



BACKFILLING REQUIREMENTS FOR CONCRETE PAVING



GREATER DANDENONG

CONDITIONS FOR INSTALLATION OF SERVICES UNDER SEALED PAVEMENTS AND CONCRETE PAVING BY OPEN CUTTING (ONLY WITH COUNCIL APPROVAL)

LAST UPDATED - APRIL 2015

INFRASTRUCTURE PLANNING

SD 706-B