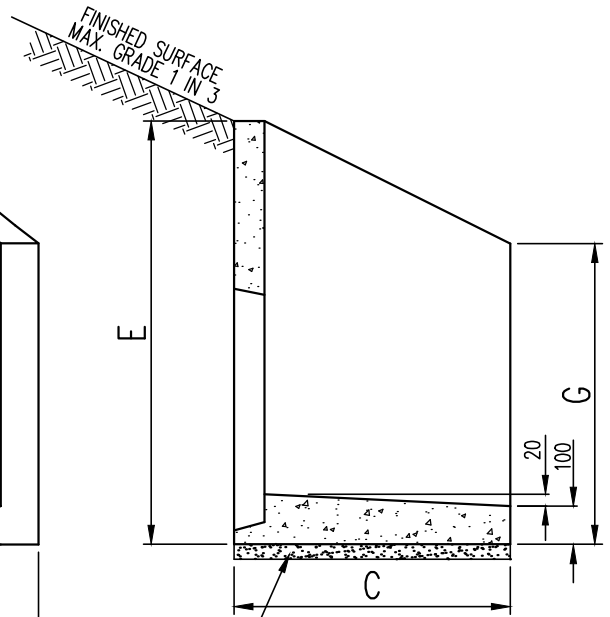
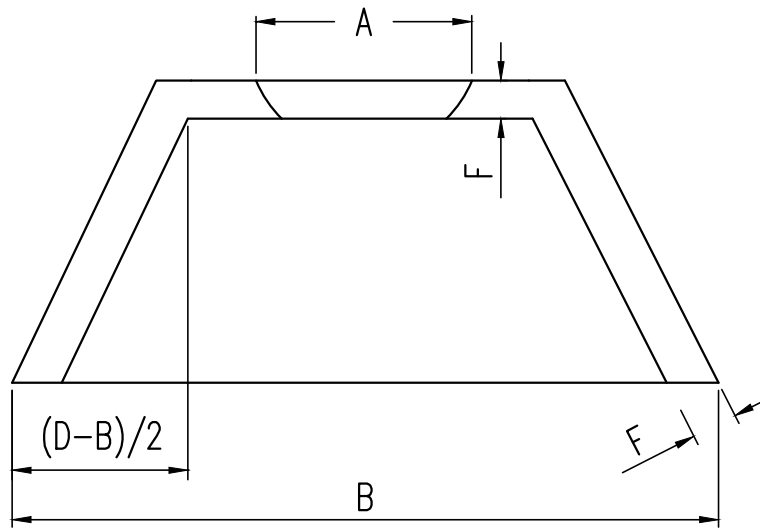


FRONT ELEVATION



50mm CLASS 3
C.R. BEDDING

SECTION A-A



PLAN

NOM. PIPE SIZE	NOMINAL DIMENSIONS IN MM						
	A	B	C	D	E	F	G
300	385	1600	640	750	915	95	710
375	475	1600	640	750	915	95	710
450	550	1600	640	750	915	95	710
525	640	1700	685	800	1035	95	775
600	730	1700	685	800	1035	95	775
675	775	2040	1015	1195	1410	92	1095
750	905	2040	1015	1195	1410	92	1095
825	950	2000	1050	1195	1400	92	1095
900	1055	2040	1015	1195	1410	92	1095



GREATER DANDENONG

PRECAST CONCRETE ENDWALL

LAST UPDATED – SEPTEMBER 2014

INFRASTRUCTURE PLANNING

SD 223-A