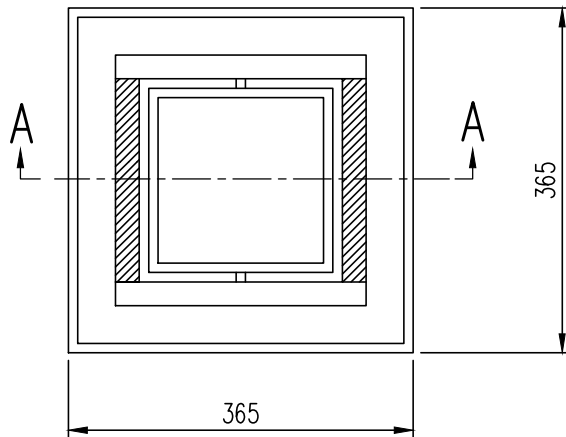
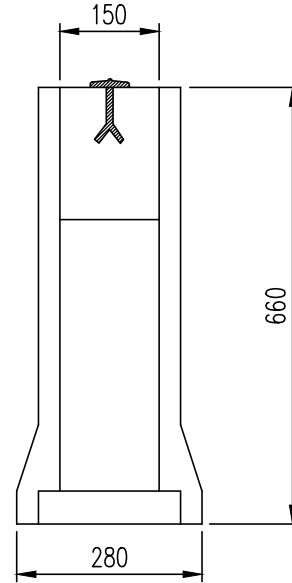


COVER & LID FOR
SURVEY MARKS
TYPE 'A1'

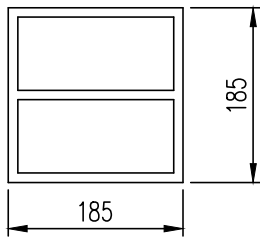


PLAN OF SURROUND

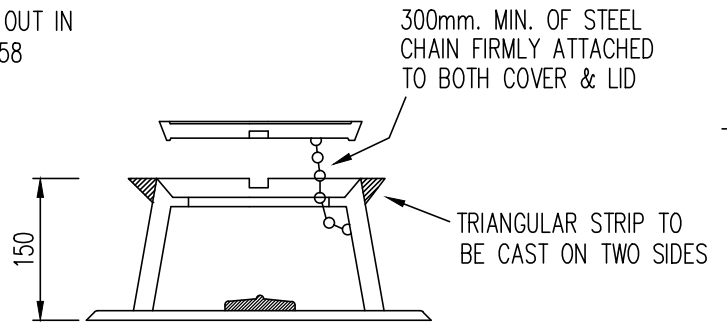


BASE BLOCK SECTION A-A

CAST IRON OR DOUBLE GALVANISED LID FOR
SURVEY MARKS IS STANDARD AS SET OUT IN
THE SURVEY COORDINATION ACT - 1958

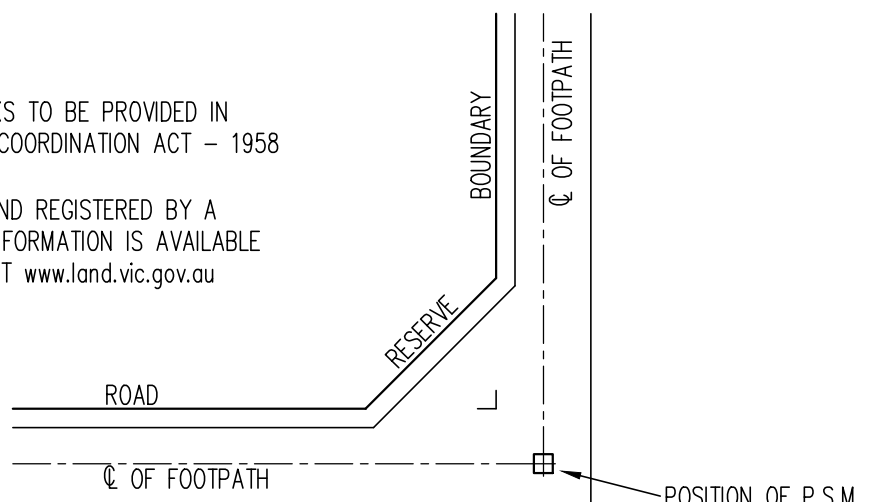


COVER DETAILS



COVER SECTION A-A

NOTE: PERMANENT SURVEY MARKS TO BE PROVIDED IN
ACCORDANCE WITH THE SURVEY COORDINATION ACT - 1958
SECTION 61(C).
THE MARK MUST BE CERTIFIED AND REGISTERED BY A
LICENSED SURVEYOR, FURTHER INFORMATION IS AVAILABLE
FROM THE STATE GOVERNMENT AT www.land.vic.gov.au



PLAN



GREATER DANDENONG

PERMANENT SURVEY MARK

LAST UPDATED - SEPTEMBER 2014

INFRASTRUCTURE PLANNING

SD 700-A