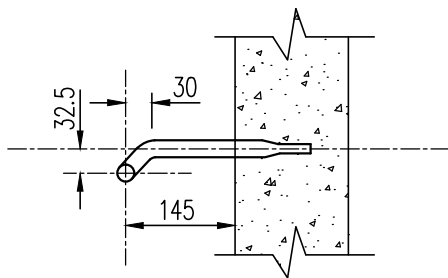


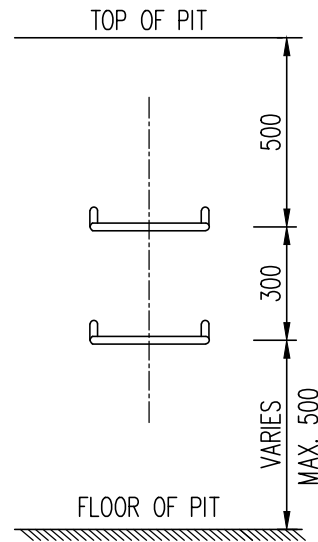
PLAN

SCALE 1:10



SECTION A-A

SCALE 1:10



ELEVATION

SCALE 1:20

NOTES

1. STEP IRONS FROM 20mm ϕ STEEL BAR, HOT DIP GALVANIZED
2. PROVIDE STEPIRONS IN ALL PITS OVER 900mm DEPTH.
3. STEPIRONS TO BE LOCATED IN PIT WALLS, CLEAR OF PIPES WHERE POSSIBLE
4. MEASUREMENTS ARE IN MILLIMETRES.



GREATER DANDENONG

STEP IRONS

LAST UPDATED – SEPTEMBER 2014

INFRASTRUCTURE PLANNING

SD 228-A