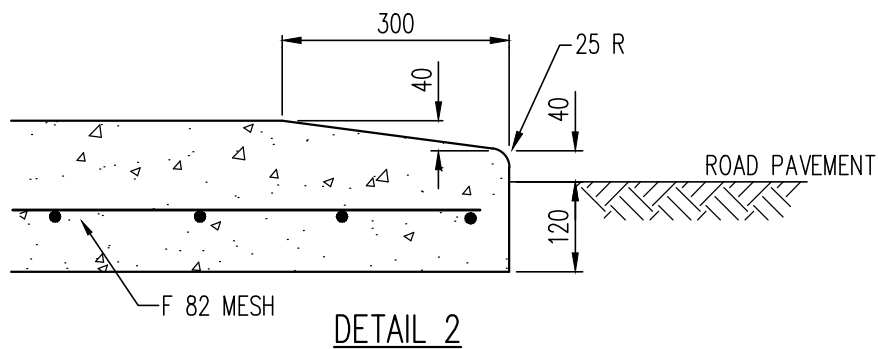
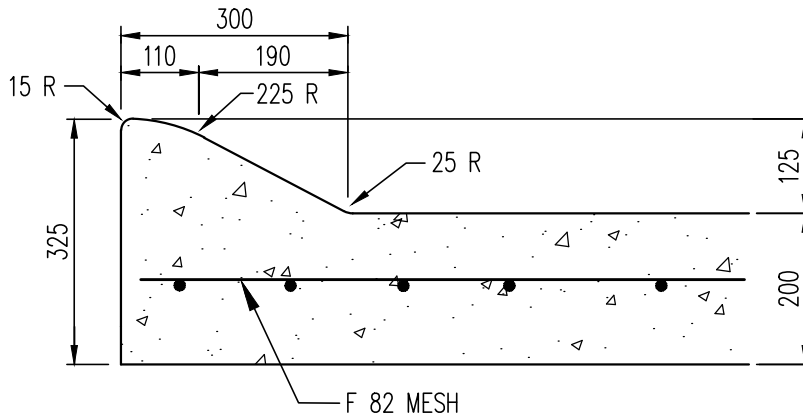
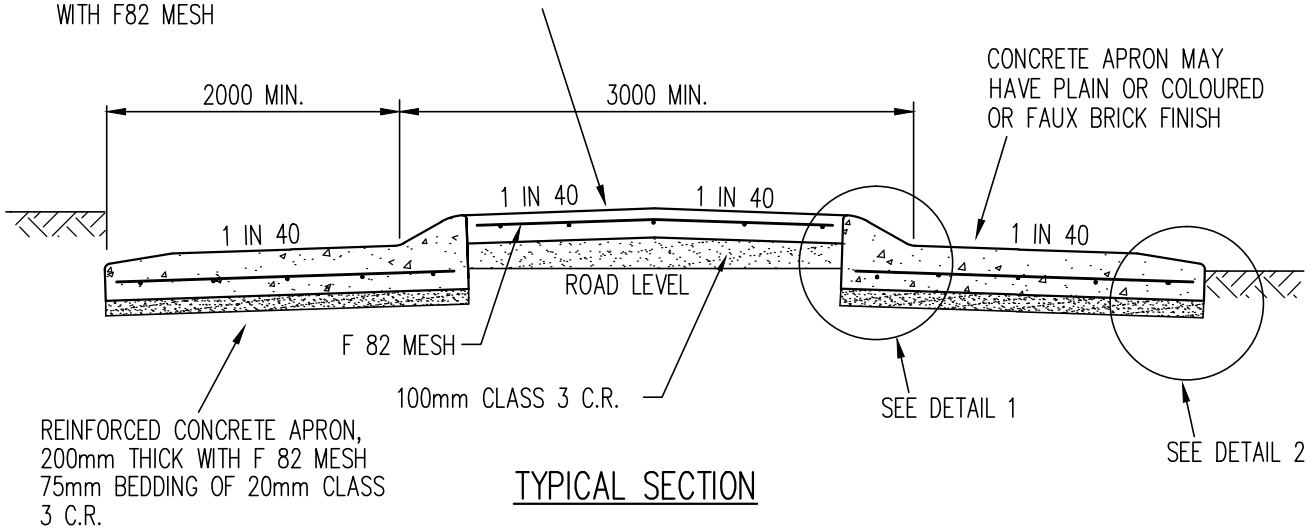


CENTRE SECTION MAY HAVE PLAIN OR COLOURED OR FAUX BRICK FINISH, 200mm THICK IF TRAFFICABLE OR 125mm THICK IF NON TRAFFICABLE, REINFORCED WITH F82 MESH



NOTES:

1. MINIMUM REINFORCING COVER 100mm.
2. CONCRETE STRENGTH OF F'C = 25MPa. IF COLOURED CONCRETE IS USED F'C SHALL BE 32MPa



GREATER DANDENONG

**TYPICAL CROSS SECTION
ROUNDABOT CENTRAL ISLAND**

LAST UPDATED - APRIL 2015

INFRASTRUCTURE PLANNING

SD 010-B