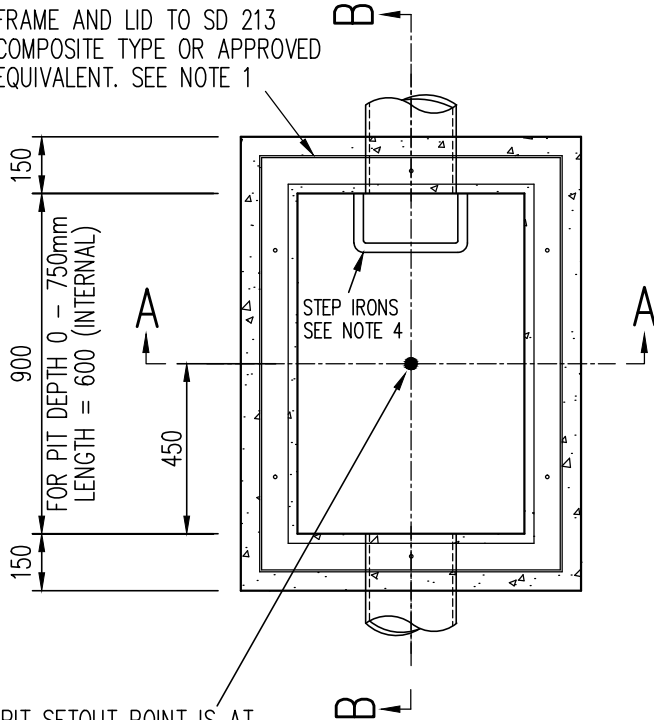


FRAME AND LID TO SD 213
COMPOSITE TYPE OR APPROVED
EQUIVALENT. SEE NOTE 1



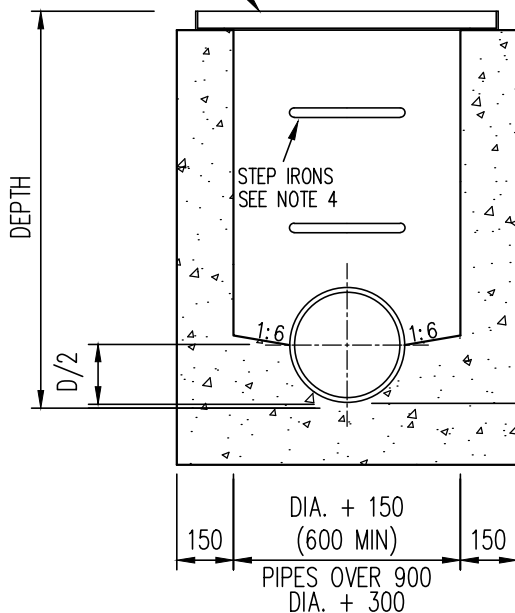
PIT SETOUT POINT IS AT
CENTRE OF PIT CHAMBER

PLAN
SCALE 1:20

NOTES:

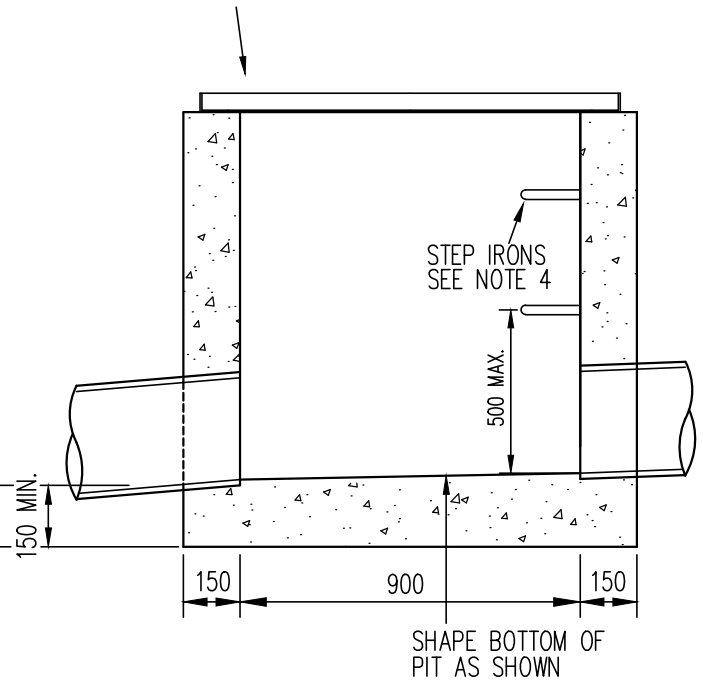
1. FOR FRAME FIXING DETAILS SEE SD 213
2. COMPOSITE PIT LID AND STEEL FRAME ARE TO BE COUNCIL APPROVED TYPE AND CONFORM TO SD 205. IN NATURE STRIPS PIT LIDS ARE TO COLOURED KHAKI GREEN. IN PLAIN COLOURED CONCRETE PAVING PIT LIDS ARE TO BE STORM GREY. MANUFACTURER CAN ARRANGE SUITABLE CUSTOM COLOUR TO MATCH OTHER PAVING SURFACE TYPES.
3. ALL MEASUREMENTS ARE IN MILLIMETRES UNLESS OTHERWISE STATED.
4. STEP IRONS ARE TO BE PROVIDED IN ALL PITS OVER 900mm DEEP. (SEE SD 228) MAXIMUM DISTANCE FROM BOTTOM STEP IRON TO FLOOR OF PIT SHALL BE 500mm.

FRAME AND LID TO SD 213
COMPOSITE TYPE OR APPROVED
EQUIVALENT. SEE NOTE 1



SECTION A-A
SCALE 1:20

FRAME AND LID TO SD 213
COMPOSITE TYPE OR APPROVED
EQUIVALENT. SEE NOTE 1



SECTION B-B
SCALE 1:20



GREATER DANDENONG

JUNCTION PIT

PIPE DIAMETER UP TO 450mm

LAST UPDATED - SEPTEMBER 2014

INFRASTRUCTURE PLANNING

SD 209-A