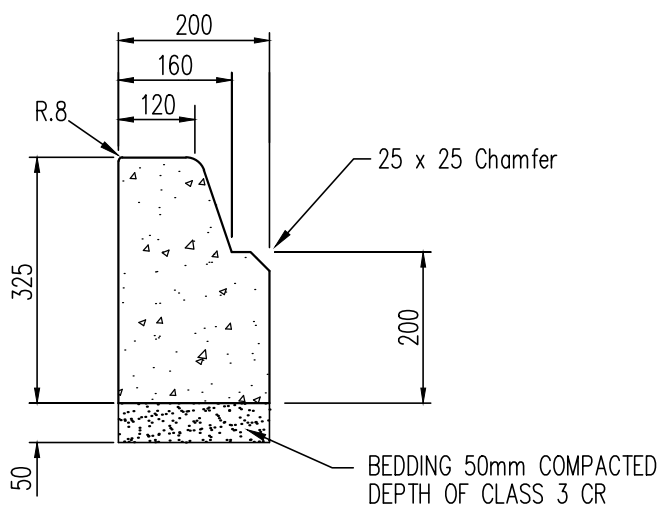
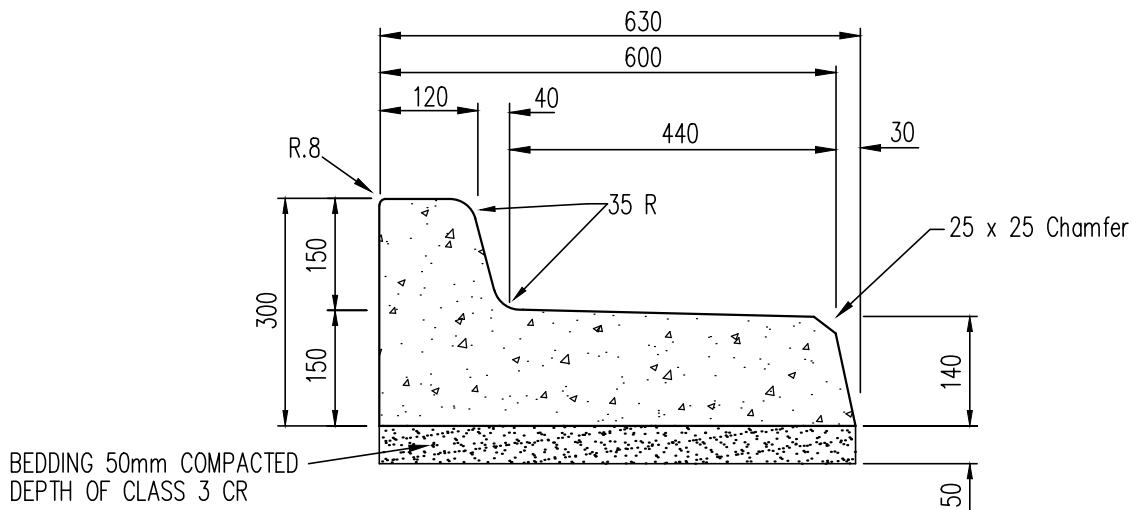


BARRIER KERB AND CHANNEL SD 400



BARRIER KERB SD 401



BARRIER KERB AND OUTFALL TRAY SD 402



GREATER DANDENONG

STANDARD KERB AND CHANNEL PROFILES
BARRIER KERB AND CHANNEL

LAST UPDATED – SEPTEMBER 2014

INFRASTRUCTURE PLANNING

SD 400–402