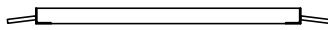


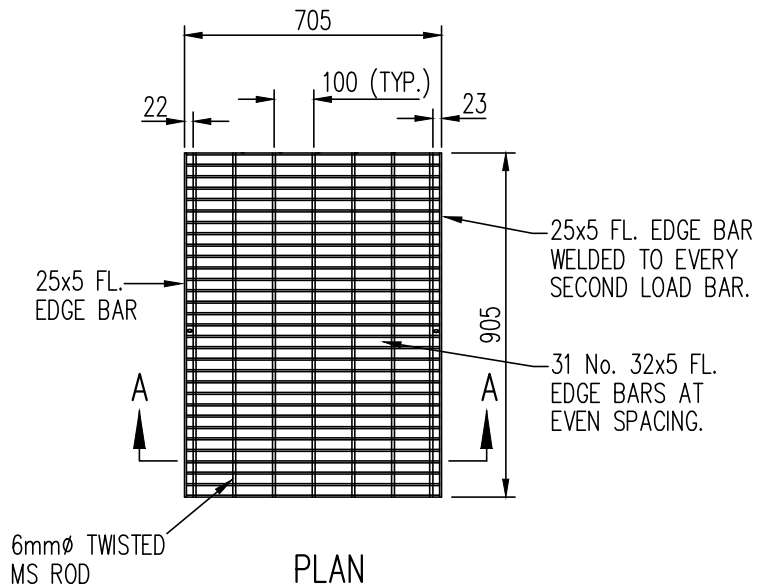
PLAN



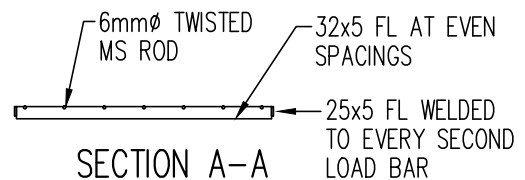
ELEVATION

FRAME DETAIL

SCALE 1:20



PLAN

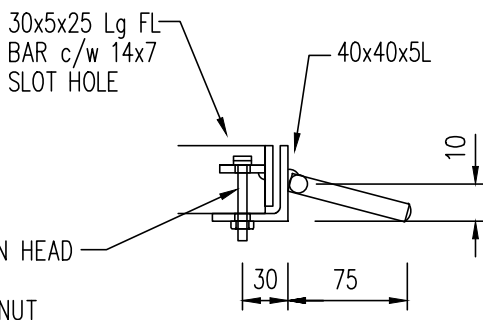


SECTION A-A

SCALE 1:10

GRATE DETAIL

SCALE 1:20



LOCK DOWN DETAIL

SCALE 1:5

NOTES

1. FINISH - HOT DIPPED GALVANISED.
2. WEIGHT - 40KG.
3. ALL MEASUREMENTS ARE IN MILLIMETRES.
4. GRATES ARE AVAILABLE FROM WEBFORCE (VIC)
142-146 FAIRBANKS ROAD, CLAYTON SOUTH
Ph. 03 8551 2414 GRATE REFERENCE - MSG69B



GREATER DANDENONG

**LIGHT DUTY STEEL GRATE
AND FRAME FOR SOAKAGE PIT**

LAST UPDATED - SEPTEMBER 2014

INFRASTRUCTURE PLANNING

SD 222-A