

COMMERCIAL SYSTEMS (OR SIMILAR APPROVED), MODIFIED TM 4065 SEAT  
 1900 TOTAL LENGTH.  
 40x30x1800 LONG CLASS 1 TIMBER SLATS STAINED TO SELECTED COLOUR  
 AND WITH PENCIL EDGES.  
 END FRAME 50x10 MS BAR  
 MID BRACING 40x10 MS BAR  
 HORIZONTAL BRACING 32x10 MS BAR & 20x20 RHS

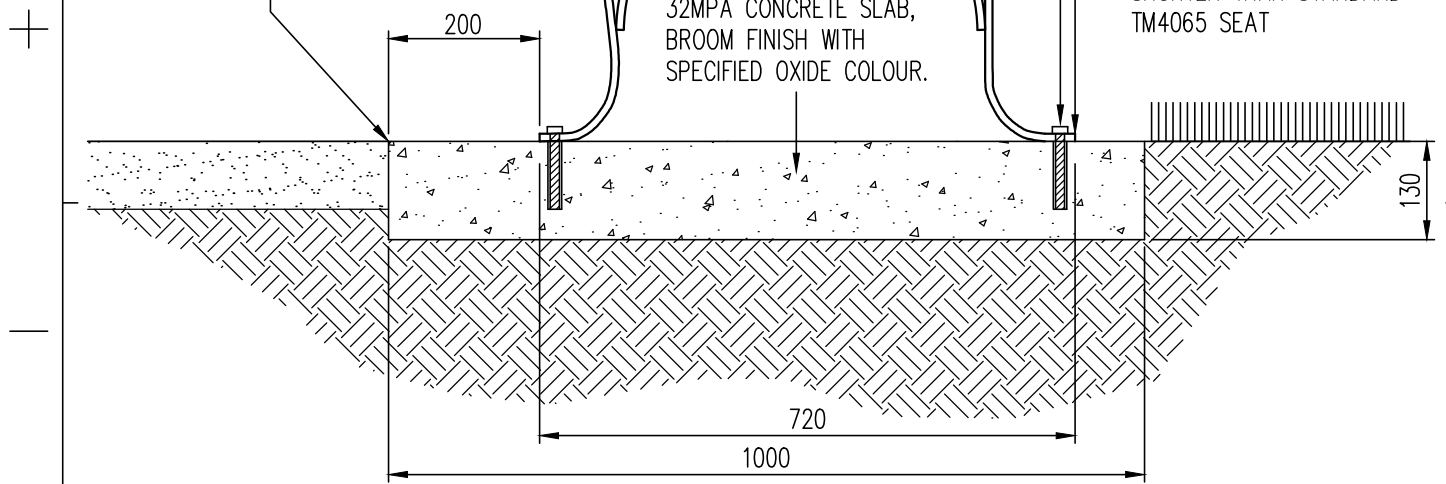
ALL STEELWORK  
 PAINTED DULUX  
 CHARCOAL 88351

DRILL & FIT M12 'DYNASET'  
 DROP-IN ANCHORS TO CONCRETE  
 PAD. FIX WITH M12 BOLT TO  
 MATCH ANCHOR

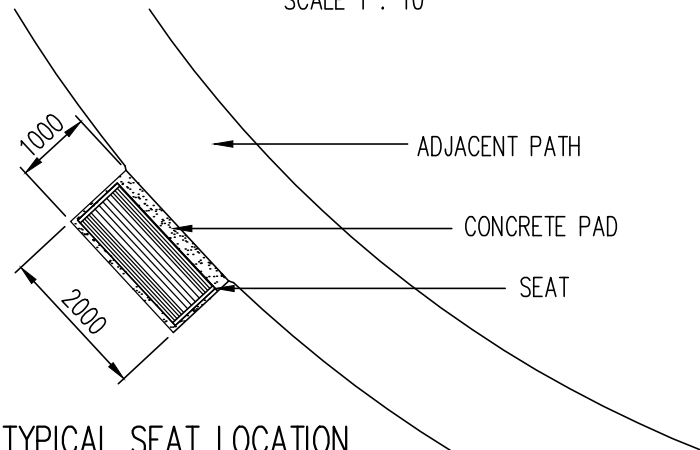
CONCRETE PAD FLUSH  
 WITH ADJOINING PATHS,  
 LAWN OR OTHER SURFACES

MIN. 2000x1000x130 THICK  
 32MPA CONCRETE SLAB,  
 BROOM FINISH WITH  
 SPECIFIED OXIDE COLOUR.

EACH FOOT CUT NOM. 40MM  
 SHORTER THAN STANDARD  
 TM4065 SEAT



ELEVATION  
 SCALE 1 : 10



PLAN VIEW OF TYPICAL SEAT LOCATION  
 SCALE 1 : 100



**GREATER DANDENONG**

STANDARD PARK SEAT TYPE A

LAST UPDATED - SEPTEMBER 2014

INFRASTRUCTURE PLANNING

SD 909-A