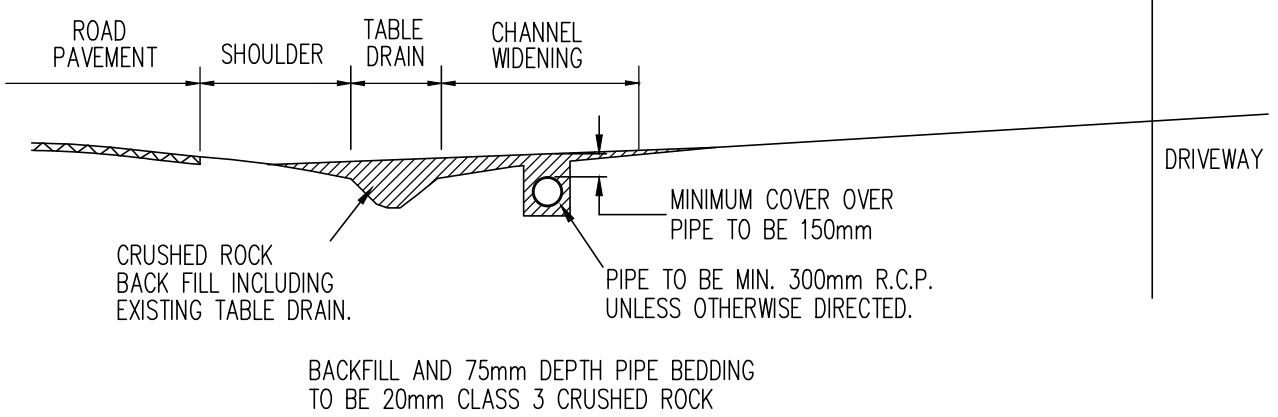
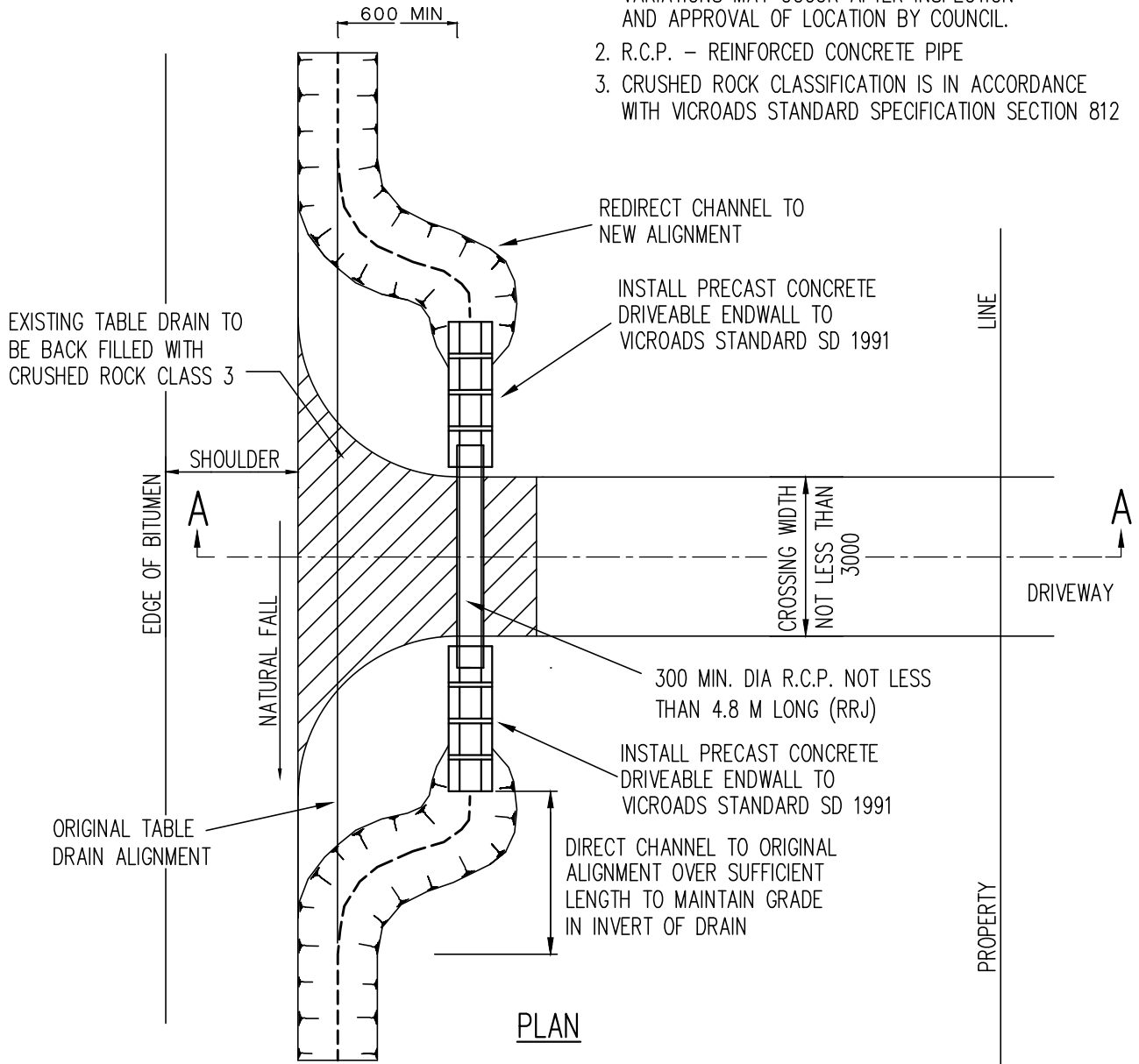


NOTES:

1. THIS IS A TYPICAL CROSSING PLAN. SLIGHT VARIATIONS MAY OCCUR AFTER INSPECTION AND APPROVAL OF LOCATION BY COUNCIL.
2. R.C.P. – REINFORCED CONCRETE PIPE
3. CRUSHED ROCK CLASSIFICATION IS IN ACCORDANCE WITH VICROADS STANDARD SPECIFICATION SECTION 812



GREATER DANDENONG

**RURAL VEHICLE CROSSING
OVER TABLE DRAINS**

LAST UPDATED – SEPTEMBER 2014

INFRASTRUCTURE PLANNING

SD 703–A

