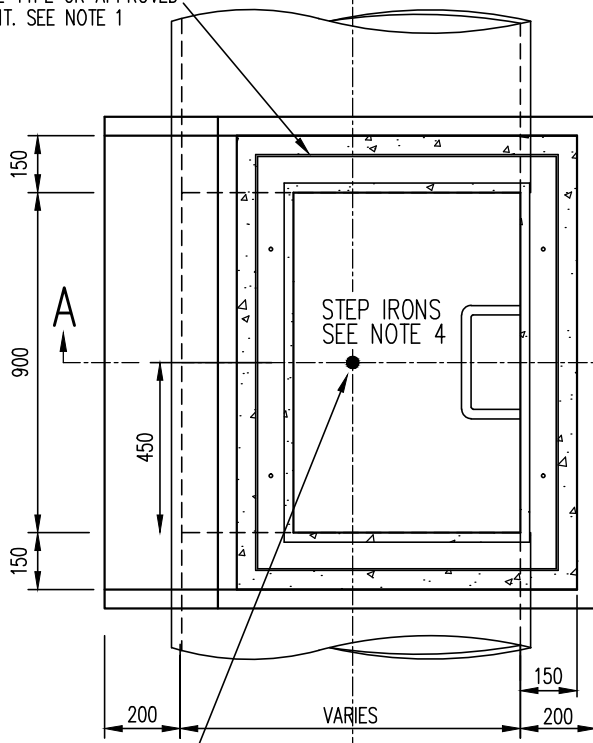


FRAME AND LID TO SD 213  
COMPOSITE TYPE OR APPROVED  
EQUIVALENT. SEE NOTE 1



PIT SETOUT POINT IS AT  
CENTRE OF MAIN PIT CHAMBER

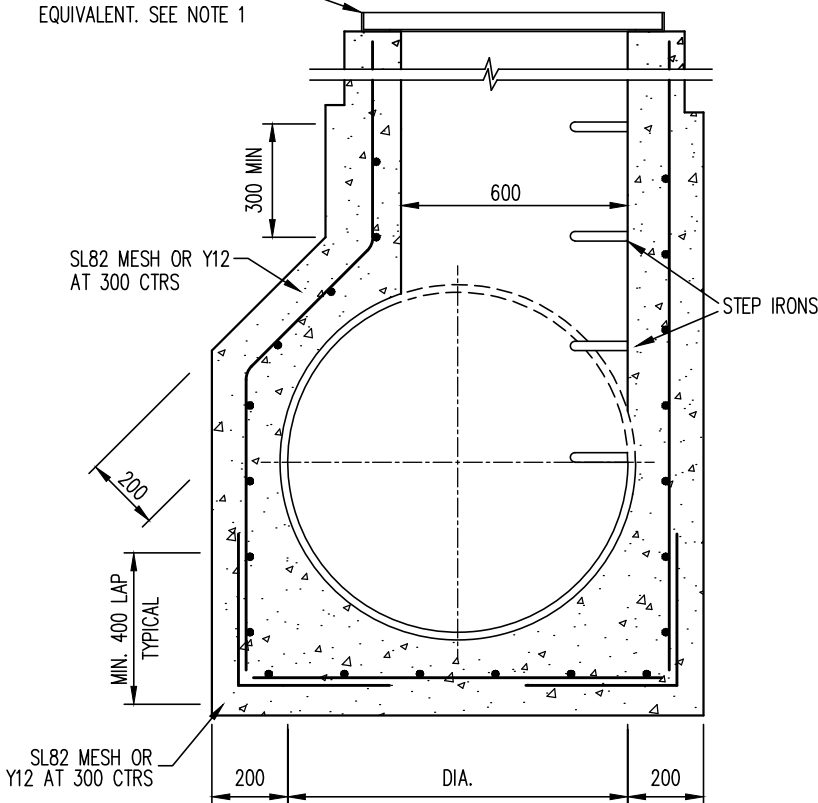
**PLAN**

SCALE 1:20

**NOTES:**

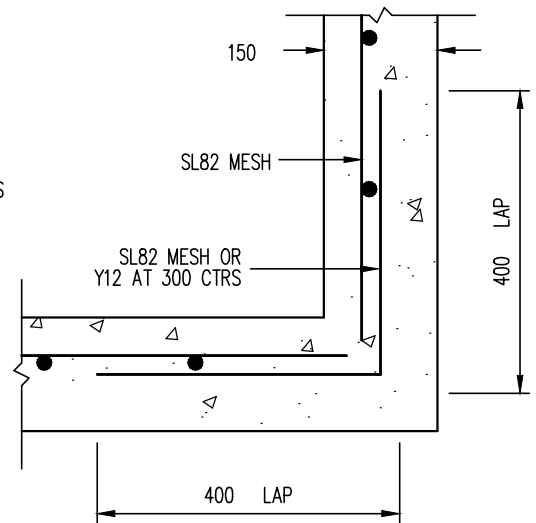
1. FOR FRAME FIXING DETAILS SEE SD 213
2. COMPOSITE PIT LID AND STEEL FRAME ARE TO BE COUNCIL APPROVED TYPE AND CONFORM TO SD 205. IN NATURE STRIPS PIT LIDS ARE TO COLOURED KHAKI GREEN. IN PLAIN COLOURED CONCRETE PAVING PIT LIDS ARE TO BE STORM GREY. MANUFACTURER CAN ARRANGE SUITABLE CUSTOM COLOUR TO MATCH OTHER PAVING SURFACE TYPES.
3. ALL MEASUREMENTS ARE IN MILLIMETRES UNLESS OTHERWISE STATED.
4. STEP IRONS ARE TO BE PROVIDED IN ALL PITS OVER 900mm DEEP. (SEE SD 228)

FRAME AND LID TO SD 213  
COMPOSITE TYPE OR APPROVED  
EQUIVALENT. SEE NOTE 1



**SECTION A-A**

SCALE 1:20



**PLAN OF  
CORNER DETAIL**

SCALE 1:10



**GREATER DANDENONG**

**MAIN DRAIN JUNCTION PIT**  
PIPE DIAMETER 900mm AND ABOVE

LAST UPDATED - MARCH 2015

INFRASTRUCTURE PLANNING

**SD 211-B**