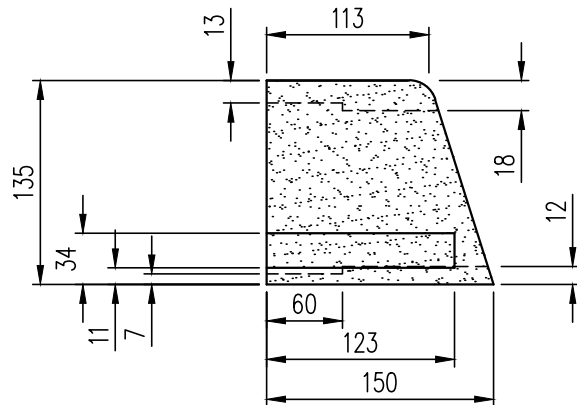


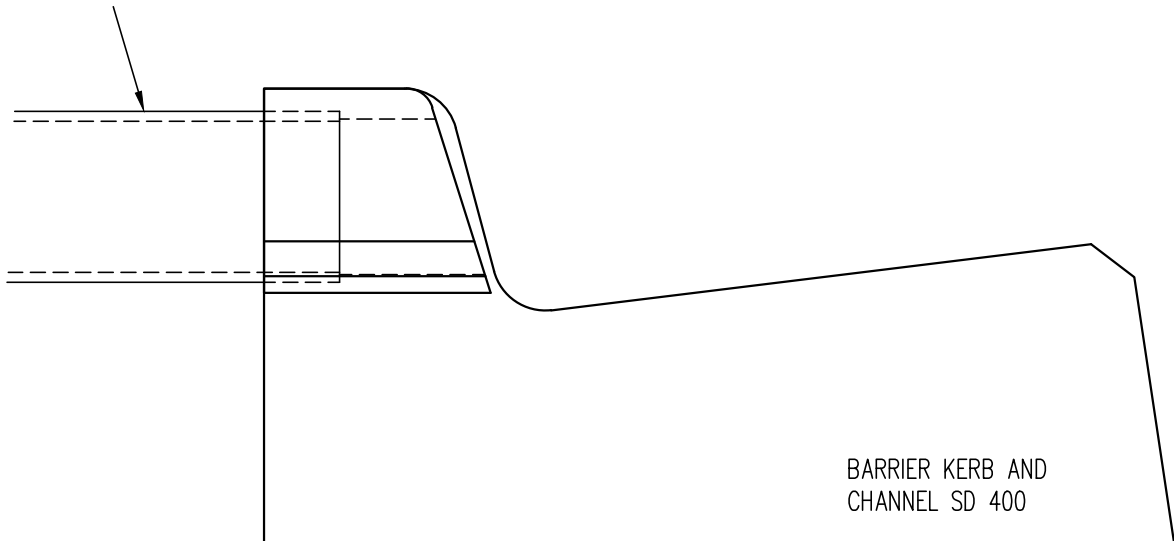
END ELEVATION



SIDE ELEVATION

DETAIL OF PREFABRICATED HARD RUBBER KERB ADAPTOR UNIT

STORMWATER DRAIN
100 mm DIAMETER



BARRIER KERB AND
CHANNEL SD 400

NOTES

1. PREFABRICATED KERB ADAPTOR TO BE R&S GRATING RECYCLED RUBBER OR APPROVED EQUIVALENT
2. 100mm UPVC HOUSE OUTLET DRAIN SHOULD MEET AS 1260 CLASS SN8 (OR ALTERNATIVELY SN10)
3. KERB ADAPTOR TO BE AS CLOSE AS POSSIBLE TO THE INVERT OF THE KERB AND CHANNEL
4. A MINIMUM 200mm COVER FROM TOP OF FOOTPATH TO TOP OF PIPE IS REQUIRED FOR ALL NEW CONNECTIONS



GREATER DANDENONG

**KERB ADAPTOR
TO SUIT BARRIER KERB AND CHANNEL SD 400**

LAST UPDATED - MARCH 2015

INFRASTRUCTURE PLANNING

SD 500-B