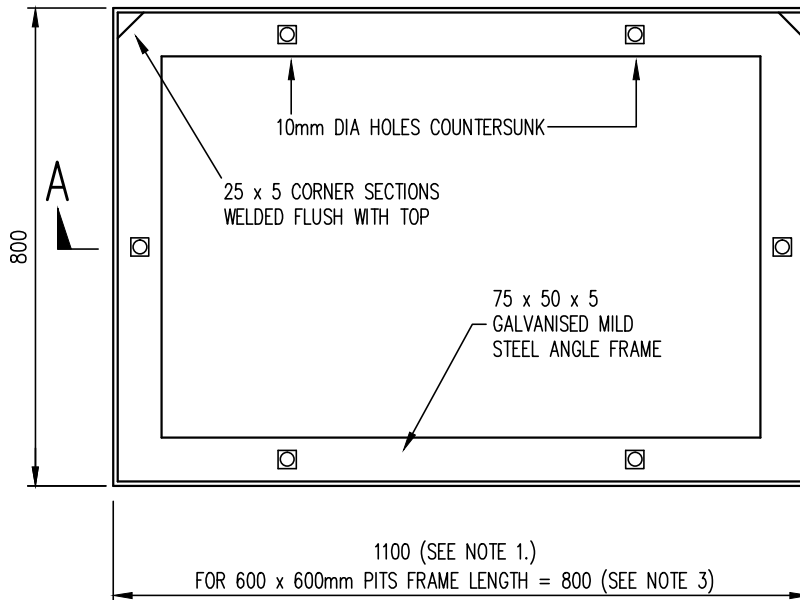


ATTACH WITH 10mm DIA x 100mm CONTINUOUS THREAD LUG, DYNABOLT OR

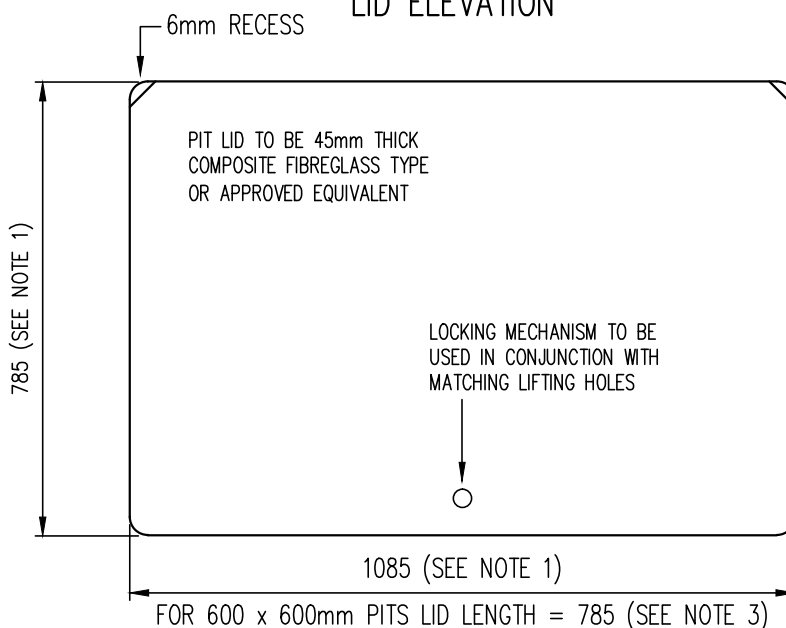
FIXING DETAIL



FRAME



LID ELEVATION



LID

NOTES:

1. DIMENSIONS GIVEN ARE FOR STANDARD EASEMENT PITS AND JUNCTION PITS. FOR FITTING TO NON STANDARD PITS WITH DIFFERENT DIMENSIONS FRAME DETAILS WILL REQUIRE MODIFICATION TO ENSURE THAT FIXING BOLTS ARE LOCATED A MIN. OF 50mm FROM THE FACE, (INTERIOR OR EXTERIOR) OF THE PIT WALL.
2. IN NATURE STRIPS AND WITHIN EASEMENTS PIT LIDS ARE TO BE KHAKI GREEN. IN PLAIN COLOUR CONCRETE PAVING PIT LIDS TO BE STORM GREY. MANUFACTURER CAN ARRANGE SUITABLE CUSTOM COLOUR MATCH TO OTHER PAVING SURFACE TYPES
3. FOR 600 x 600mm PITS A 800 x 800mm FRAME AND MATCHING LID IS AVAILABLE



**GREATER DANDENONG**

**STANDARD PIT LID AND FRAME  
FOR EASEMENT AND JUNCTION PITS**

LAST UPDATED - MARCH 2015

INFRASTRUCTURE PLANNING

**SD 213-B**