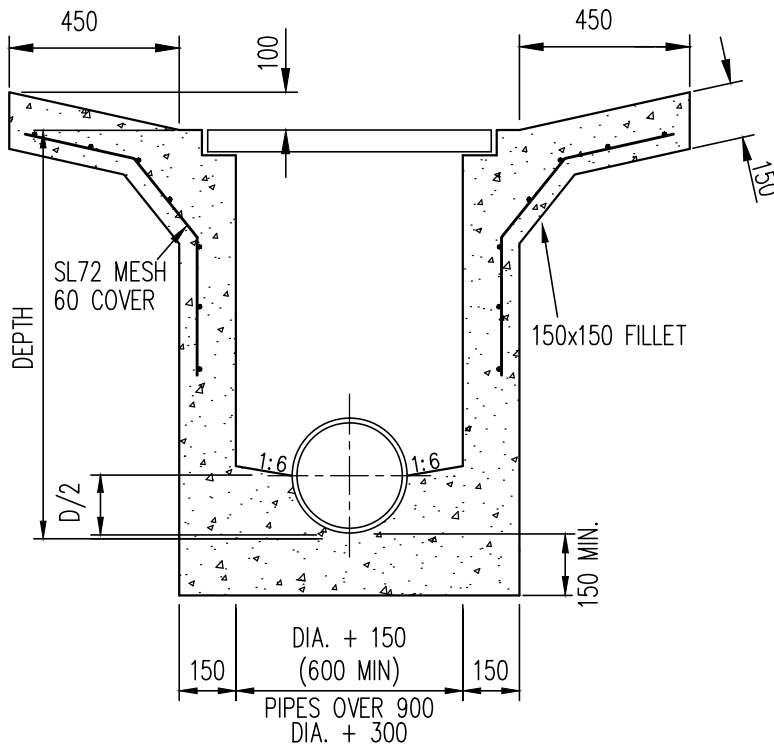


PLAN
SCALE 1:20



SECTION A-A
SCALE 1:20

NOTES:

1. FOR PIT DEPTH GREATER THAN 1.5 METRES OR PIPE DIAMETER GREATER THAN 450mm, REFER TO SD 210 REGARDING CORBELLING, WALL THICKNESS AND REINFORCING OF PIT WALLS
2. ALL MEASUREMENTS ARE IN MILLIMETRES.
3. STEP IRONS TO BE PROVIDED IN ALL PITS OVER 900mm DEEP. SEE SD 228
4. PIT LID TO BE WEBFORGE WHSG69H OR WELDLOK PC6090B GRATE AND FRAME OR APPROVED EQUIVALENT TO BE INSTALLED TO MANUFACTURERS SPECIFICATIONS.
5. WHERE NO AG PIPES ARE CONNECTED, SEAL STUBS WITH GEOTEXTILE FABRIC.



GREATER DANDENONG

GRATED CATCH PIT
FOR USE IN UNPAVED (GRASSED) AREAS

LAST UPDATED – MARCH 2015

INFRASTRUCTURE PLANNING

SD 220-B