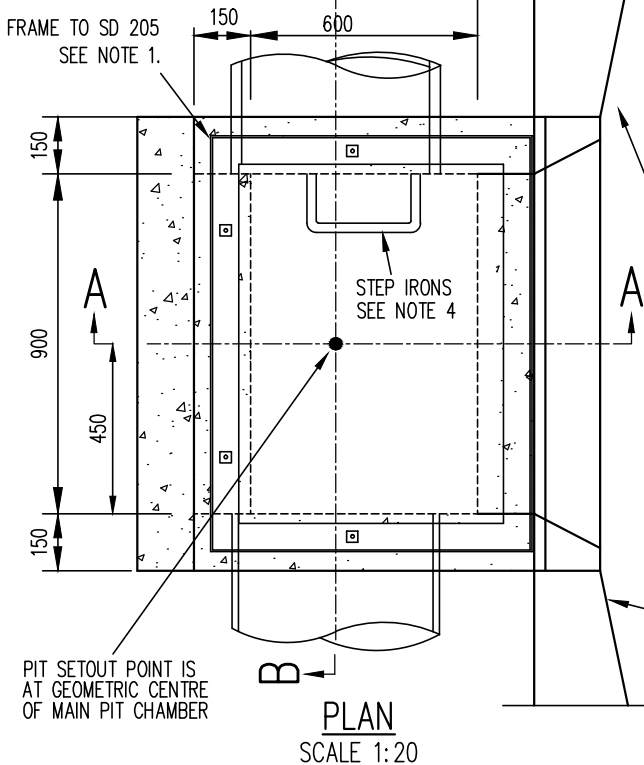


SECTION A-A
SCALE 1:20

SECTION B-B
SCALE 1:20



PLAN
SCALE 1:20

NOTES:

1. COMPOSITE PIT LID AND STEEL FRAME TO BE COUNCIL APPROVED TYPE AND CONFORM TO SD 205
2. IN NATURE STRIPS PIT LIDS TO BE KHAKI GREEN. IN PLAIN COLOUR CONCRETE PAVING PIT LIDS TO BE STORM GREY. IN OTHER PAVED AREAS COLOUR OF PIT LIDS SHALL BE MATCHED TO COLOUR OF PROPOSED FINISHED SURFACE. CONTACT LID MANUFACTURER TO ARRANGE SUITABLE CUSTOM COLOUR MATCH
3. ALL MEASUREMENTS ARE IN MILLIMETRES UNLESS OTHERWISE STATED
4. STEP IRONS TO BE PROVIDED IN ALL PITS OVER 900mm DEEP. SEE SD 228

INTRODUCE DRAW DOWN 1000mm.
FROM EITHER SIDE OF THE LINTEL.
MAXIMUM DRAW DOWN 35mm



GREATER DANDENONG

SIDE ENTRY PIT TYPE 2B
TO SUIT ROLOVER TYPE KERB AND CHANNEL (SD 403)
PIPE DIAMETER EXCEEDS 450mm

LAST UPDATED - MARCH 2015
INFRASTRUCTURE PLANNING
SD 203-B