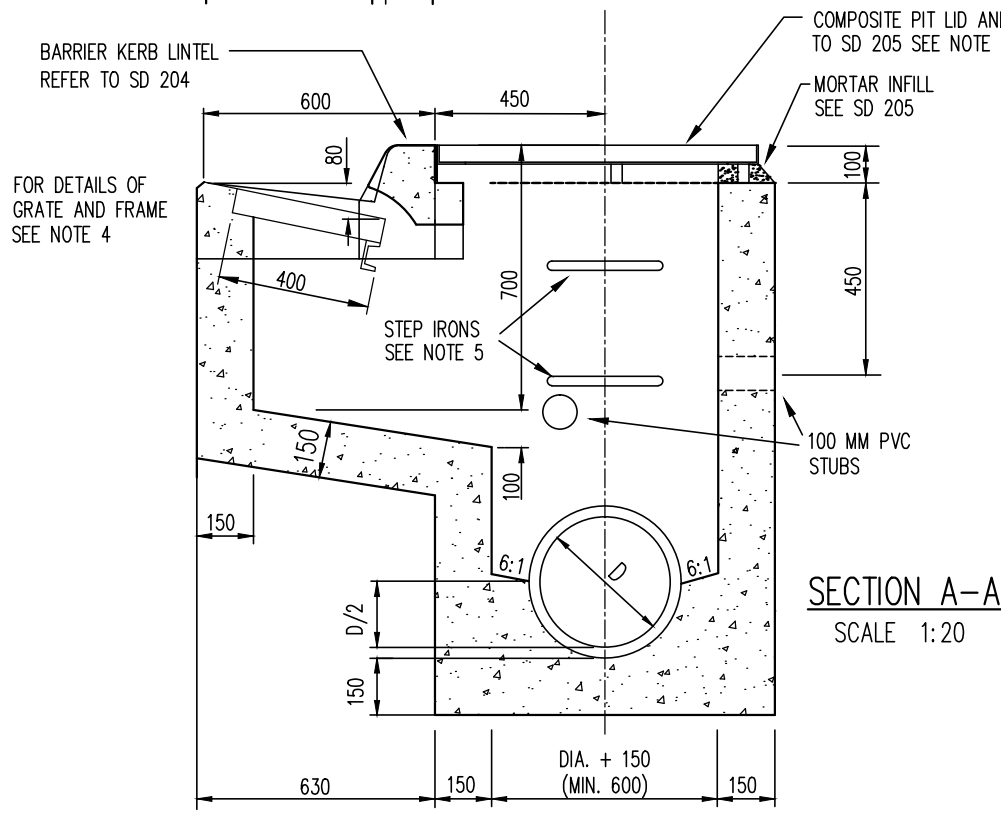


FOR DETAILS OF GRATE AND FRAME SEE NOTE 4

PLAN
SCALE 1:20

NOTES

1. GRATE AND SIDE ENTRY PIT FOR PIPE DIAMETERS UP TO 450mm
2. COMPOSITE PIT LID AND STEEL FRAME ARE TO BE COUNCIL APPROVED TYPE AND CONFORM TO SD 205. IN NATURE STRIPS PIT LIDS ARE TO COLOURED KHAKI GREEN. IN PLAIN COLOURED CONCRETE PAVING PIT LIDS ARE TO BE STORM GREY. MANUFACTURER CAN ARRANGE SUITABLE CUSTOM COLOUR TO MATCH OTHER PAVING SURFACE TYPES.
3. FOR PIT LID FRAME FIXING DETAILS SEE SD 213
4. GALVANISED STEEL GRATE AND FRAME TO BE R&S GRATINGS MODEL NO.- FW-1000-0290-050-A-C-X-B-GF OR APPROVED EQUIVALENT.
5. STEP IRONS ARE TO BE PROVIDED IN ALL PITS OVER 900mm DEEP. (SEE SD 228) MAXIMUM DISTANCE FROM BOTTOM STEP IRON TO FLOOR OF PIT SHALL BE 500mm.
6. ALL MEASUREMENTS ARE IN MILLIMETRES UNLESS OTHERWISE STATED.
7. PROVIDE 100mm DIA PVC STUB IN UPSTREAM END WALL OF PIT 700mm BELOW SURFACE FOR SUBSOIL DRAIN CONNECTIONS. IN BOTH ENDS OF PIT AT LOW POINTS)
8. PROVIDE 2 No. 100mm DIA PVC STUBS IN REAR WALL OF PIT, 500mm BELOW SURFACE FOR HOUSE DRAIN CONNECTIONS AS REQUIRED.
9. CONCRETE STRENGTH $f'c = 25MPa$



FOR DETAILS OF GRATE AND FRAME SEE NOTE 4

SECTION A-A
SCALE 1:20



GREATER DANDENONG

**COMBINATION GRATE AND SIDE ENTRY PIT
FOR BARRIER TYPE KERB AND CHANNEL**

LAST UPDATED - APRIL 2015
INFRASTRUCTURE PLANNING
SD 216-B