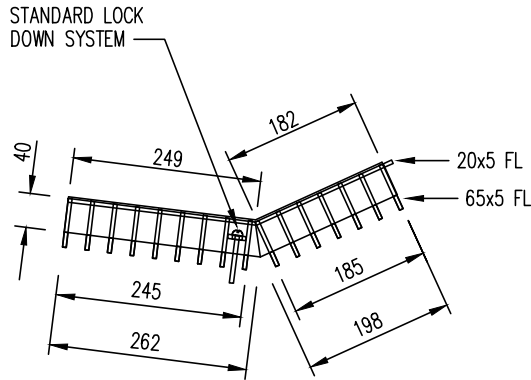


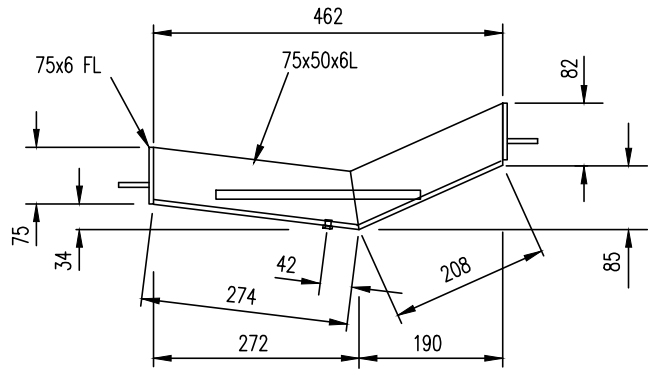
**NOTES**

1. FINISH - HOT DIPPED GALVANISED.
2. WEIGHT - 58 KG.
3. ALL MEASUREMENTS ARE IN MILLIMETRES.
4. GRATES ARE AVAILABLE FROM WEBFORGE (VIC.) 142-146 FAIRBANKS ROAD, CLAYTON SOUTH Ph 03 8551 2414  
GRATE REFERENCE - MGG94HV21 (WG 21) OR APPROVED EQUIVALENT. GRATES SHALL CONFORM TO AS 3996-2006



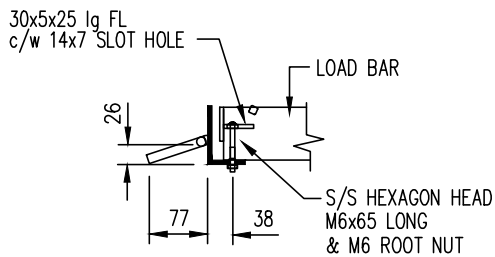
**GRATE DETAIL**

SCALE 1:10



**FRAME DETAIL**

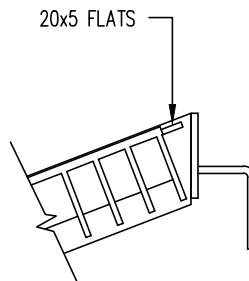
SCALE 1:10



NB. BOLT TO BE SUPPLIED WITH 20mm LONG RUBBER SLEEVE TO BE CAST INTO CONCRETE

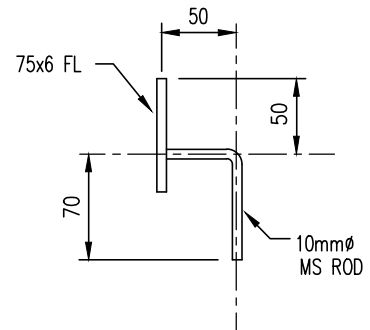
**LOCK DOWN DETAIL**

SCALE 1:20



**SECTION B-B**

NOT TO SCALE



**SECTION A-A**

SCALE 1:5



**GREATER DANDENONG**

**GRATING PIT - GRATE AND FRAME**  
ROLLOVER KERB AND CHANNEL

LAST UPDATED - SEPTEMBER 2014

INFRASTRUCTURE PLANNING

**SD 208-A**